

PIRANHA OFFROAD PRODUCTS

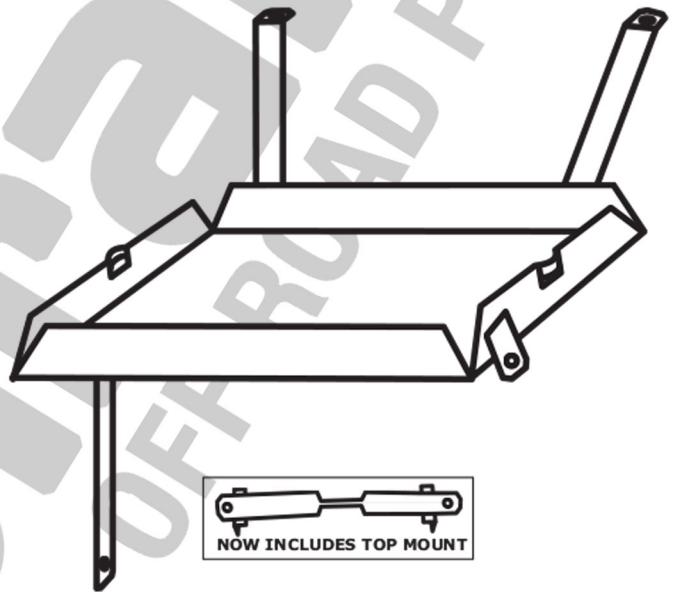
BTMP99

'Piranha Off Road products are not associated in any way with FORD Motor Co of Aust Ltd or any of its related companies'
 'Piranha Off Road products are not associated in any way with MAZDA Australia Pty Ltd or any of its related companies'

To Suit 1999 MAZDA BRAVO / FORD COURIER 4 CYL EFI PETROL



PART NUMBER
BTMP99
APPROX FITTING TIME
1 Hour
MAX BATTERY SIZE
235mm Long
RECOMMENDED TYPE
Cycle Duty
TRAY LOCATION
PSR



NOW INCLUDES TOP MOUNT

PARTS INCLUDED WITH TRAY

- 4 X M6 Bolt
- 3 X M6 Nuts
- 1 X Body Washers
- 2 X J Bolts
- 1 X Standard Top Mount

FITTING INSTRUCTIONS

The cradle fits passenger side rear.

This tray fits in easily, no relocation required. Top mount supplied.

Ensure, before closing the bonnet that all items fitted have adequate clearance

RECOMMENDED ISOLATOR

**DBE140SF
 or
 DBE180-SX**