

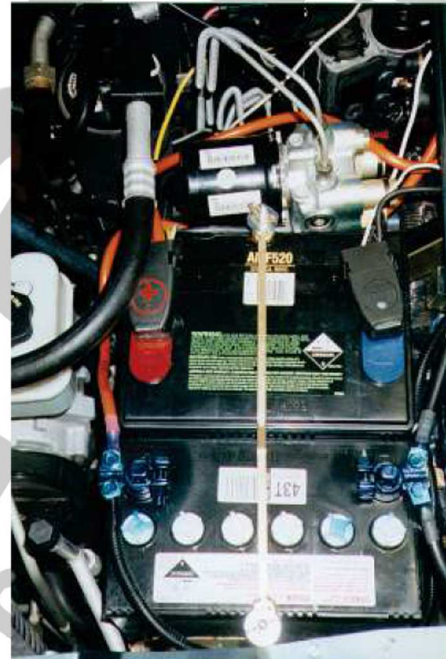
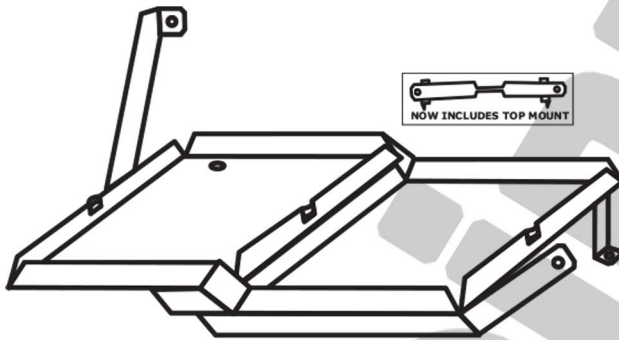
'Piranha Off Road products are not associated in any way with FORD Motor Co of Aust Ltd or any of its related companies'

To Suit FORD TERRITORY MULTI POINT FUEL INJECTED (EARLY)

PART NUMBER
BTFEX
APPROX FITTING TIME
1 Hour
MAX BATTERY SIZE
235mm Starting Battery 190mm Cycle Duty
RECOMMENDED TYPE
Cycle Duty
TRAY LOCATION
PSFT

 NOT SUITABLE FOR SELF FIT

 NOT SUITABLE FOR SEVERE SERVICE



FITTING INSTRUCTIONS

PARTS INCLUDED WITH TRAY

- 1 X M6 Bolt Countersunk
- 1 X M6 Nut
- 1 X Body Washer
- 2 X J Bolts
- 1 X Special Top Mount

The Cradle fits passenger side front

Remove the original plastic tray and replace it with the dual cradle. The large original battery will have to be replaced with two smaller batteries. You use all original bolts, except one for this tray.

NOTE: Special top mount must be used

RECOMMENDED ISOLATOR

**DBE140SF
or
DBE180-SX**

Ensure, Before closing the bonnet that all items fitted have adequate clearance